

Service Fuse Holder (for 22x58 and 30x57 fuses)



SFH22BW



SFH22FW



SFH30BW-AI



SFH30FW-AI

Features

- To suit either 22x58mm or 30x57mm service fuses
- Rated current (Ie) 100A
- Rated voltage (Ue) 500V
- Rated peak withstand current 31.5kA
- Complies with IEC / AS 60269.3
- Max cable size (front/rear) 50mm²

Product Details

- Black base with clear top allows easy identification of fuse inside holder
- Front wired and back wired versions
- Anti-Intrusion barrier to suit NSW requirements
- Made from flame retardant thermoplastic material
- Screw mounting size (all) M5
- Max tightening torque (front) 3-4Nm

Range

| PART NO | FUSE TO SUIT | CONNECTION TYPE | ANTI-INTRUSION FEATURE | PACK SIZE | CARTON SIZE |
|------------|--------------|-----------------|------------------------|-----------|-------------|
| SFH22BW | 22x58mm | Back Connect | – | 10 | 80 |
| SFH22FW | 22x58mm | Front Connect | – | 10 | 80 |
| SFH30BW-AI | 30x57mm | Back Connect | ✓ | 10 | 80 |
| SFH30FW-AI | 30x57mm | Front Connect | ✓ | 10 | 80 |

Dimensions

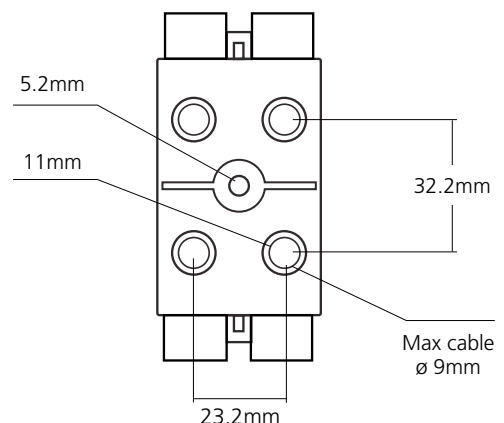


88mm



82mm

42mm



5.2mm

11mm

32.2mm

Max cable
ø 9mm

23.2mm

FRONT AND BACK WIRE MODELS

BACK WIRE DRILLING