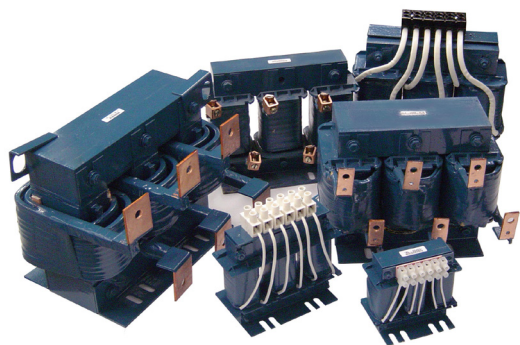


RL Reactors

Best-in class power quality units
for absorbing power line
disturbances



- **Best-in-class line/load reactors**
- **Most robust, highest continuous service factor**
- **Low watts loss**
- **Performance and durability that is unmatched by the competition**

Peace of mind included.

Our RL Line/Load Reactors are best-in class power quality units with a long history of proven performance. Rugged and robust, they are unequalled in absorbing power line disturbances that can damage or shut down variable frequency drives (VFDs) and other sensitive equipment. They work on both the line side and load side to give you an easy solution that reduces nuisance tripping, reduces harmonic distortion and minimizes long lead effects.

Improved power quality, enhanced productivity and complete peace of mind are easy with RL Line/ Load Reactors.

Get best-in-class performance with our RL Line/Load Reactors.



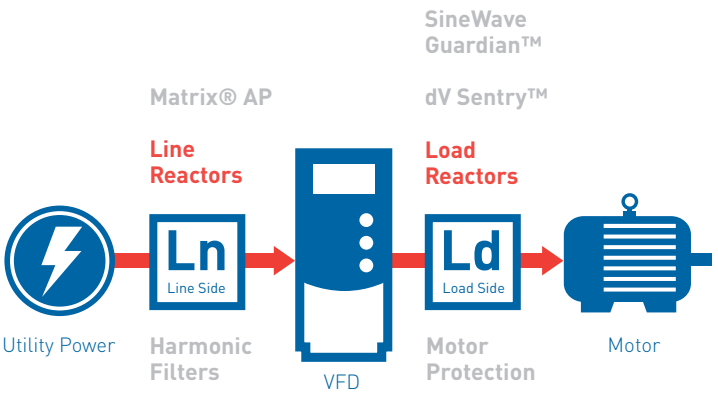
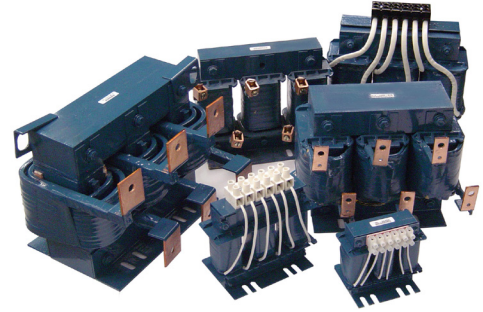
Our RL Line/Load Reactors are a robust, best-in-class filtering solution for virtually any 4 or 6-pulse rectifier or power conversion unit. There is no need to de-rate these reactors. They are harmonic compensated and protected to assure optimum performance in the presence of harmonics, and can help you meet IEEE-519 requirements. There are units available for a full line of currents (1A to 1,500A) and a full line of impedance options (1.5%, 3% and 5%).

Robust design and construction for unequalled filtering of power line disturbances.

Highest continuous service factor virtually eliminates breakdowns in the field.

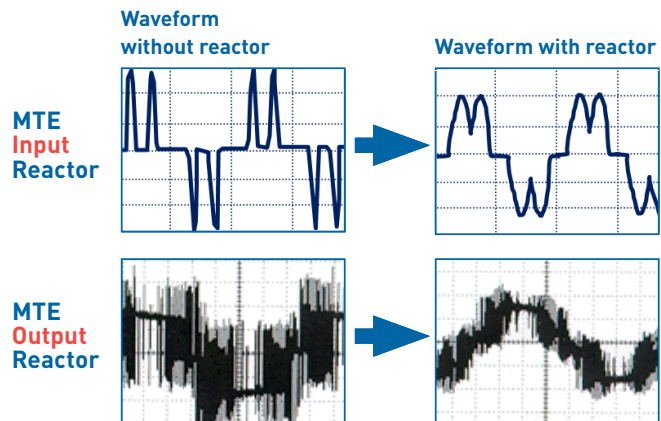
Reduces audible noise.

Multiple cabinet designs help meet NEMA 1/2 and 3R.



Performance Specifications:

Impedance Levels	1.5%, 3% and 5%
Continuous Service Factor	Reactors rated 1 to 750 Amps - 150% of rating Reactors rated above 750 Amps - 125% of rating
Overload Rating	200% of rated for 30 minutes 300% of rated for 1 minute
Voltage Range	208V - 690V
Current Range	1A - 1,500A
Temperature Rise	135°C
Ambient Temperature	-40 to 50°C
Altitude Maximum	1,000 meters
Fundamental Frequency	50/60 Hz
Inductance Curve	100% at 100% Current 100% at 150% Current 50% at 350% Current



Power quality. Solved.

MTE Corporation

N83 W13330 Leon Road • Menomonee Falls, WI 53051
(800) 455-4MTE • (262) 253-8200 • mtecorp.com