

DIN80-000 Offset Tag

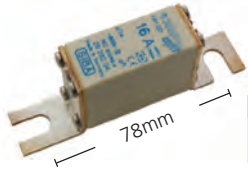
2028204



Class aR for semiconductor protection. Size 000, compact body

660VAC

ultra rapid (gR/aR)



PERFORMANCE	AMP
gR	16A - 100A
aR	125A - 160A

PART NO.	AMP	POWER LOSS	TOTAL I ² t @ 660V (A ² s)
2028204-16	16A	5W	70
2028204-20	20A	6W	120
2028204-25	25A	7W	200
2028204-32	32A	9W	450
2028204-35	35A	9W	550
2028204-40	40A	10W	700

PART NO.	AMP	POWER LOSS	TOTAL I ² t @ 660V (A ² s)
2028204-50	50A	11W	1300
2028204-63	63A	13W	2300
2028204-80	80A	18W	3500
2028204-100	100A	22W	6400
2028204-125	125A	24W	11200
2028204-160	160A	28W	29000

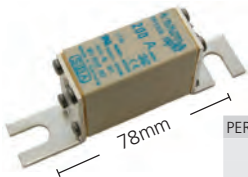
2028220



Class aR for semiconductor protection. Size 000, compact body

690VAC/700VAC

ultra rapid (gR/aR)



PERFORMANCE	AMP
gR	16A - 100A
aR	125A - 160A

PART NO.	AMP	POWER LOSS	TOTAL I ² t @ 660V (A ² s)
2028220-32	32A	8W	290
2028220-35	35A	9W	360
2028220-40	40A	10W	500
2028220-50	50A	12W	770
2028220-63	63A	14W	1400
2028220-80	80A	18W	2600
2028220-100	100A	22W	4000

PART NO.	AMP	POWER LOSS	TOTAL I ² t @ 660V (A ² s)
2028220-125	125A	26W	7200
2028220-160	160A	32W	15400
2028220-180	180A	35W	20400
2028220-200	200A	39W	25000
2028220-250	250A	47W	44000
2028220-315	315A	58W	77000

2055804

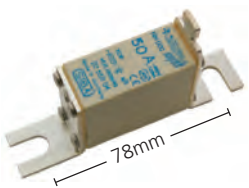


Class aR for semiconductor protection. Size 000, compact body

660VAC

ultra rapid (gR/aR)

with microswitch facility



PERFORMANCE	AMP
gR	16A - 100A
aR	125A - 160A

PART NO.	AMP	POWER LOSS	TOTAL I ² t @ 660V (A ² s)
2055804-16	16A	5W	70
2055804-20	20A	6W	120
2055804-25	25A	7W	200
2055804-32	32A	9W	450
2055804-35	35A	9W	550
2055804-40	40A	10W	700

PART NO.	AMP	POWER LOSS	TOTAL I ² t @ 660V (A ² s)
2055804-50	50A	11W	1300
2055804-63	63A	13W	2300
2055804-80	80A	18W	3500
2055804-100	100A	22W	6400
2055804-125	125A	24W	11200
2055804-160	160A	28W	29000

Fuse Holders for DIN80-00/000

2118901

Open fuse base



2118908

Fuse base with covers



Note:

Can only be used with DIN80 - 00/000 fuses WITHOUT micro switch facility.

DIN80-000 Offset Tag

2055820



Class aR for semiconductor protection. Size 000, compact body

690VAC/700VAC
ultra rapid (aR),
with microswitch
facility



PART NO.	AMP	POWER LOSS	TOTAL I ² t @ 660V (A ² s)
2055820-32	32A	8W	290
2055820-35	35A	9W	360
2055820-40	40A	10W	500
2055820-50	50A	12W	770
2055820-63	63A	14W	1400
2055820-80	80A	18W	2600
2055820-100	100A	22W	4000

PART NO.	AMP	POWER LOSS	TOTAL I ² t @ 660V (A ² s)
2055820-125	125A	26W	7200
2055820-160	160A	32W	15400
2055820-180	180A	35W	20400
2055820-200	200A	39W	25000
2055820-250	250A	47W	44000
2055820-315	315A	58W	77000

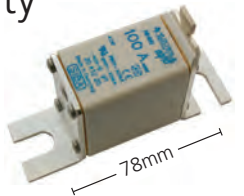
DIN80-00 Offset Tag

2041220



Class aR for semiconductor protection. Size 00 body

690VAC/700VAC
ultra rapid (aR),
with microswitch
facility



PART NO.	AMP	POWER LOSS	TOTAL I ² t @ 660V (A ² s)
2041220-35	35A	8W	360
2041220-40	40A	10W	500
2041220-50	50A	12W	770
2041220-63	63A	14W	1400
2041220-80	80A	17W	2600
2041220-100	100A	21W	4000
2041220-125	125A	25W	7200

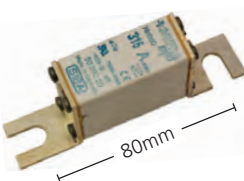
PART NO.	AMP	POWER LOSS	TOTAL I ² t @ 660V (A ² s)
2041220-160	160A	31W	15400
2041220-180	180A	34W	23100
2041220-200	200A	37W	27500
2041220-250	250A	44W	46800
2041220-315	315A	53W	86000
2041220-350	350A	57W	110000
2041220-400	400A	68W	156000

2029220



Class aR for semiconductor protection. Size 00. Designed for DC circuits.

700VDC
ultra rapid (aR),



PART NO.	AMP	POWER LOSS	TOTAL I ² t @ 660V (A ² s)
2029220-35	35A	14W	135
2029220-50	50A	17W	530
2029220-63	63A	20W	690
2029220-80	80A	23W	1650
2029220-100	100A	26W	4300

PART NO.	AMP	POWER LOSS	TOTAL I ² t @ 660V (A ² s)
2029220-125	125A	30W	6400
2029220-160	160A	35W	8000
2029220-200	200A	40W	16000
2029220-250	250A	45W	22900
2029220-315	315A	51W	46000

Microswitches for DIN80-00/000

2800201

Black Hammer
Microswitch.
To suit DIN80-00
size fuse.

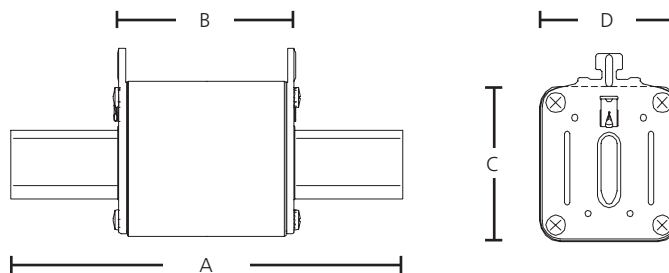


2800202

Red Hammer
Microswitch.
To suit DIN80-000
size fuse.



NH Blade Ultra Rapid



SIZE 00/000

690VAC
ultra rapid
(gR, aR)



DIMENSIONS (mm)						
PART NO.	AMPS	SIZE	A	B	C	D
2047720	6-50	000	78	47	40.5	20.5
2020920	63-160	00	78	47	46	29.5
170M...	200-315	000	78	47	40.5	20.5

Class gR and aR for semiconductor protection

PART NO.	AMP	BODY SIZE	CLASS	POWER LOSS	TOTAL I ² t @ 690V (A ² s)
2047720-6	6A	000	gR	-	-
2047720-10	10A	000	gR	2.5W	18
2047720-16	16A	000	gR	4.1W	40
2047720-20	20A	000	gR	5.5W	91
2047720-25	25A	000	gR	6W	110
2047720-32	32A	000	gR	7.1W	250
2047720-35	35A	000	gR	-	-
2047720-40	40A	000	gR	9.2W	450
2047720-50	50A	000	gR	12W	820
2020920-63	63A	00	gR	14W	1400
2020920-80	80A	00	gR	17W	2600
2020920-100	100A	00	gR	21W	4500
2020920-125	125A	00	aR	25W	9100
2020920-160	160A	00	aR	32W	15000
170M1570	200A	000	aR	37W	28000
170M1571	250A	000	aR	42W	51500
170M1572	315A	000	aR	52W	80500

SIZE 1

690VAC
ultra rapid
(gR, aR)



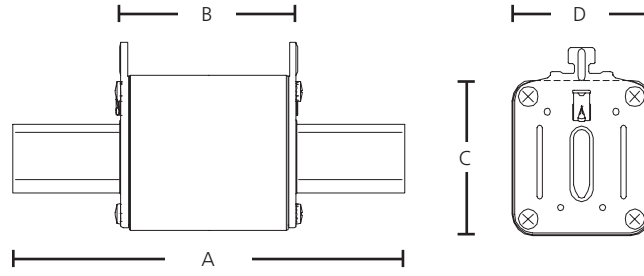
DIMENSIONS (mm)						
PART NO.	AMPS	SIZE	A	B	C	D
2021120	16-315	1	135	65	51.5	42
170M...	355-400	1	135	69	58	45

Class gR and aR for cable and line protection

PART NO.	AMP	CLASS	POWER LOSS	TOTAL I ² t @ 690V (A ² s)
2021120-16	16A	gR	-	-
2021120-20	20A	gR	-	-
2021120-25	25A	gR	-	-
2021120-32	32A	gR	-	-
2021120-40	40A	gR	8W	570
2021120-50	50A	gR	11W	1000
2021120-63	63A	gR	14W	1800
2021120-80	80A	gR	20W	3400
2021120-100	100A	aR	24W	4700
2021120-125	125A	aR	31W	7600
2021120-160	160A	aR	42W	14000
2021120-200	200A	aR	52W	21000
2021120-250	250A	aR	71W	36000
2021120-315	315A	aR	88W	76000
170M3818	355A	aR	55W	68500
170M3819	400A	aR	60W	105000

FUSE HOLDERS TO SUIT Refer to pages 68

NH Blade Ultra Rapid



SIZE 2 690VAC ultra rapid (aR)



DIMENSIONS (mm)						
PART NO.	AMPS	SIZE	A	B	C	D
2021220	125-250	2	150	65	51.5	42
2021220	315-450	2	150	65	59	53
170M...	500-700	2	150	69	59	55

Class aR for semiconductor protection

PART NO.	AMP	POWER LOSS	TOTAL I ² t @ 690V (A ² s)
2021220-80	80A	-	-
2021220-100	100A	-	-
2021220-125	125A	-	-
2021220-160	160A	42W	14000
2021220-200	200A	52W	21000
2021220-250	250A	71W	36000
2021220-315	315A	79W	76000
2021220-350	350A	85W	100000
2021220-400	400A	95W	145000
2021220-450	450A	100W	220000
170M5810	500A	75W	145000
170M5811	550A	80W	190000
170M5812	630A	90W	275000
170M5813	700A	95W	405000

SIZE 3 690VAC ultra rapid (aR)



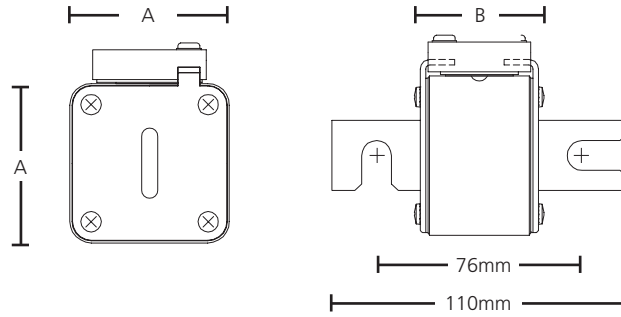
DIMENSIONS (mm)						
PART NO.	AMPS	SIZE	A	B	C	D
2021320	250-400	3	150	65	59	53
2021320	450-710	3	150	65	73.5	65
2021320	800	3	150	68	74	74
170M...	900-1000	3	150	68	74	76

Class aR for semiconductor protection

PART NO.	AMP	POWER LOSS	TOTAL I ² t @ 690V (A ² s)
2021320-250	250A	-	-
2021320-315	315A	79W	76000
2021320-350	350A	85W	100000
2021320-400	400A	95W	150000
2021320-450	450A	95W	220000
2021320-500	500A	100W	300000
2021320-550	550A	110W	400000
2021320-630	630A	130W	490000
2021320-710	710A	150W	610000
2021320-800	800A	120W	1050000
170M6813	900A	125W	670000
170M6814	1000A	-	945000

FUSE HOLDERS TO SUIT Refer to pages 68

DIN80 Square Body



SIZE 1
690VAC*
ultra rapid (aR)



Class aR for semiconductor protection

DIMENSIONS (mm)			
PART NO.	AMPS	A	B
2061232	63-900	51	47.5

PART NO.	AMP	* VOLTAGE	PART NO.	AMP	* VOLTAGE
2061232-63	63A	690V	2061232-400	400A	690V
2061232-80	80A	690V	2061232-450	450A	690V
2061232-100	100A	690V	2061232-500	500A	690V
2061232-125	125A	690V	2061232-550	550A	690V
2061232-160	160A	690V	2061232-630	630A	690V
2061232-200	200A	690V	2061232-700	700A	690V
2061232-250	250A	690V	2061232-800	800A	690V
2061232-315	315A	690V	2061232-900	900A	600V
2061232-350	350A	690V			

SIZE 2
690VAC*
ultra rapid (aR)



Class aR for semiconductor protection

DIMENSIONS (mm)			
PART NO.	AMPS	A	B
2062232	400-1250	60	47.5

PART NO.	AMP	* VOLTAGE	PART NO.	AMP	* VOLTAGE
2062232-400	400A	690V	2062232-800	800A	690V
2062232-450	450A	690V	2062232-900	900A	690V
2062232-500	500A	690V	2062232-1000	1000A	690V
2062232-550	550A	690V	2062232-1100	1100A	600V
2062232-630	630A	690V	2062232-1250	1250A	600V
2062232-700	700A	690V			

SIZE 3
690VAC*
ultra rapid (aR)



Class aR for semiconductor protection

DIMENSIONS (mm)			
PART NO.	AMPS	A	B
2063232	400-1250	60	47.5

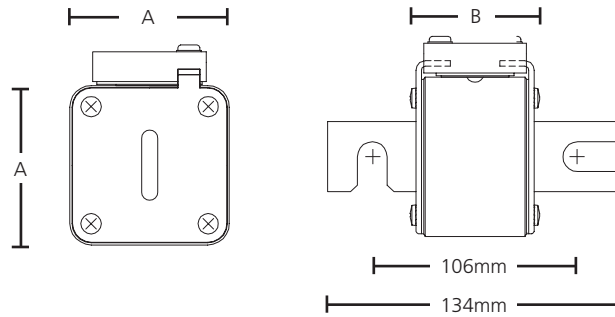
PART NO.	AMP	* VOLTAGE	PART NO.	AMP	* VOLTAGE
2063232-500	500A	690V	2063232-1000	1000A	690V
2063232-550	550A	690V	2063232-1100	1100A	690V
2063232-630	630A	690V	2063232-1250	1250A	690V
2063232-700	700A	690V	2063232-1400	1400A	690V
2063232-800	800A	690V	2063232-1500	1500A	600V
2063232-900	900A	690V	2063232-1600	1600A	600V

DIN80 fuse base



PART NO.	DESCRIPTION	AMP	VOLTAGE	PACK SIZE
2131301	Fuse Base with Bolted. Connections DIN Type	630A	900V	1
2131302	Fuse Base with Bolted. Connections DIN Type	1250A	900V	1

DIN110 Square Body



SIZE 1



690VAC*
ultra rapid (aR)

Class aR for semiconductor protection

DIMENSIONS (mm)			
PART NO.	AMPS	A	B
2061532	63-900	51	47.5

PART NO.	AMP	* VOLTAGE
2061532-63	63A	690V
2061532-80	80A	690V
2061532-100	100A	690V
2061532-125	125A	690V
2061532-160	160A	690V
2061532-200	200A	690V
2061532-250	250A	690V
2061532-315	315A	690V
2061532-350	350A	690V

PART NO.	AMP	* VOLTAGE
2061532-400	400A	690V
2061532-450	450A	690V
2061532-500	500A	690V
2061532-550	550A	690V
2061532-630	630A	690V
2061532-700	700A	690V
2061532-800	800A	690V
2061532-900	900A	600V

SIZE 2



690VAC*
ultra rapid (aR)

Class aR for semiconductor protection

DIMENSIONS (mm)			
PART NO.	AMPS	A	B
2062532	250-1250	51	47.5

PART NO.	AMP	* VOLTAGE
2062532-200	200A	690V
2062532-250	250A	690V
2062532-315	315A	690V
2062532-350	350A	690V
2062532-400	400A	690V
2062532-450	450A	690V
2062532-500	500A	690V
2062532-550	550A	690V

PART NO.	AMP	* VOLTAGE
2062532-630	630A	690V
2062532-700	700A	690V
2062532-800	800A	690V
2062532-900	900A	690V
2062532-1000	1000A	690V
2062532-1100	1100A	600V
2062532-1250	1250A	600V

SIZE 3



690VAC*
ultra rapid (aR)

Class aR for semiconductor protection

DIMENSIONS (mm)			
PART NO.	AMPS	A	B
2063532	500-1600	73	49

PART NO.	AMP	* VOLTAGE
2063532-500	500A	690V
2063532-550	550A	690V
2063532-630	630A	690V
2063532-700	700A	690V
2063532-800	800A	690V
2063532-900	900A	690V

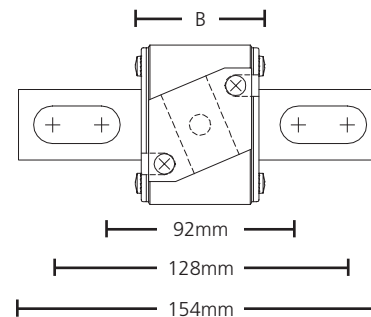
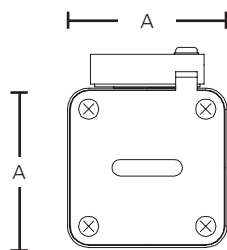
PART NO.	AMP	* VOLTAGE
2063532-1000	1000A	690V
2063532-1100	1100A	690V
2063532-1250	1250A	690V
2063532-1400	1400A	690V
2063532-1500	1500A	600V
2063532-1600	1600A	600V

DIN110 fuse base



PART NO.	DESCRIPTION	AMP RATING	VOLTAGE RATING	PACK SIZE
2132301	Fuse Base with Bolted. Connections DIN Type	630A	1400V	1
2132302	Fuse Base with Bolted. Connections DIN Type	1250A	1400V	1

American Blade Square Body



SIZE 1



690VAC*
ultra rapid (aR)

Class aR for semiconductor protection

DIMENSIONS (mm)			
PART NO.	AMPS	A	B
2061832	63-900	51	47.5

PART NO.	AMP	* VOLTAGE
2061832-63	63A	690V
2061832-80	80A	690V
2061832-100	100A	690V
2061832-125	125A	690V
2061832-160	160A	690V
2061832-200	200A	690V
2061832-250	250A	690V
2061832-315	315A	690V
2061832-350	350A	690V

PART NO.	AMP	* VOLTAGE
2061832-400	400A	690V
2061832-450	450A	690V
2061832-500	500A	690V
2061832-550	550A	690V
2061832-630	630A	690V
2061832-700	700A	690V
2061832-800	800A	690V
2061832-900	900A	600V

SIZE 2



690VAC*
ultra rapid (aR)

Class aR for semiconductor protection

DIMENSIONS (mm)			
PART NO.	AMPS	A	B
2062832	400-1250	60	47.5

PART NO.	AMP	* VOLTAGE
2062832-400	400A	690V
2062832-450	450A	690V
2062832-500	500A	690V
2062832-550	630A	690V
2062832-630	700A	690V
2062832-700	800A	690V

PART NO.	AMP	* VOLTAGE
2062832-800	800A	690V
2062832-900	900A	690V
2062832-1000	1000A	690V
2062832-1100	1100A	600V
2062832-1250	1250A	600V

SIZE 3



690VAC*
ultra rapid (aR)

Class aR for semiconductor protection

DIMENSIONS (mm)			
PART NO.	AMPS	A	B
2063832	500-1600	73	49

PART NO.	AMP	* VOLTAGE
2063832-500	500A	690V
2063832-550	550A	690V
2063832-630	630A	690V
2063832-700	700A	690V
2063832-800	800A	690V
2063832-900	900A	690V

PART NO.	AMP	* VOLTAGE
2063832-1000	1000A	690V
2063832-1100	1100A	690V
2063832-1250	1250A	690V
2063832-1400	1400A	690V
2063832-1500	1500A	600V
2063832-1600	1600A	600V

Fuse Base

LSCR

1000VAC
modular fuse bases

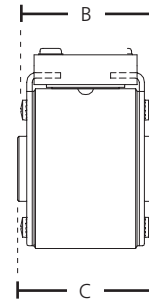
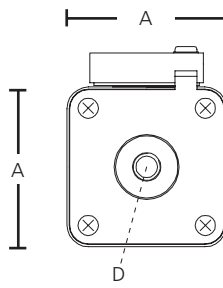


Fuse holders to suit bolt in fuses

PART NO.	AMP
LSCR001	400A
LSCR002	800A



Flush End Square Body



SIZE 1 690VAC* ultra rapid (aR)



Class aR for semiconductor protection

DIMENSIONS (mm)						
PART NO.	AMPS	SIZE	A	B	C	D
2066132	63-900	1	51	47.5	51	M8

PART NO.	AMP	* VOLTAGE
2066132-63	63A	690V
2066132-80	80A	690V
2066132-100	100A	690V
2066132-125	125A	690V
2066132-160	160A	690V
2066132-200	200A	690V
2066132-250	250A	690V
2066132-315	315A	690V
2066132-350	350A	690V

PART NO.	AMP	* VOLTAGE
2066132-400	400A	690V
2066132-450	450A	690V
2066132-500	500A	690V
2066132-550	550A	690V
2066132-630	630A	690V
2066132-700	700A	690V
2066132-800	800A	690V
2066132-900	900A	600V

SIZE 2 690VAC* ultra rapid (aR)



Class aR for semiconductor protection

DIMENSIONS (mm)						
PART NO.	AMPS	SIZE	A	B	C	D
2067132	205-1250	2	60	47.5	51	M10

PART NO.	AMP	* VOLTAGE
2067132-250	250A	690V
2067132-350	350A	690V
2067132-400	400A	690V
2067132-450	450A	690V
2067132-500	500A	690V
2067132-550	550A	690V
2067132-630	630A	690V

PART NO.	AMP	* VOLTAGE
2067132-700	700A	690V
2067132-800	800A	690V
2067132-900	900A	690V
2067132-1000	1000A	690V
2067132-1100	1100A	600V
2067132-1250	1250A	600V

SIZE 3 690VAC* ultra rapid (aR)



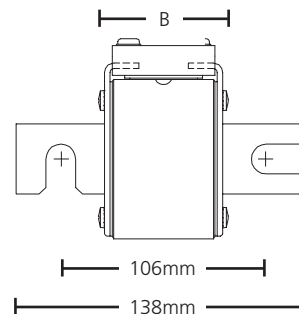
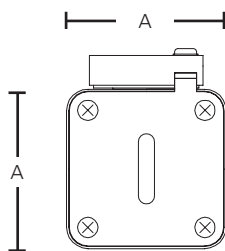
Class aR for semiconductor protection

DIMENSIONS (mm)						
PART NO.	AMPS	SIZE	A	B	C	D
2068132	500-1600	3	73	49	51	M12
2068152	1800-2250	3	73	49	59	M12

PART NO.	AMP	* VOLTAGE
2068132-500	500A	690V
2068132-550	550A	690V
2068132-630	630A	690V
2068132-700	700A	690V
2068132-800	800A	690V
2068132-900	900A	690V
2068132-1000	1000A	690V
2068132-1100	1100A	690V

PART NO.	AMP	* VOLTAGE
2068132-1250	1250A	690V
2068132-1400	1400A	690V
2068132-1500	1500A	600V
2068132-1600	1600A	600V
2068152-1800	1800A	550V
2068152-2000	2000A	550V
2068152-2250	2250A	550V

DIN110 Square Body (1250V)



SIZE 1



1250VAC*
ultra rapid (aR)

Class aR for semiconductor protection

DIMENSIONS (mm)			
PART NO.	AMPS	A	B
2071532	50-630	51	70.5

PART NO.	AMP	* VOLTAGE
2071532-50	50A	1250V
2071532-63	63A	1250V
2071532-80	80A	1250V
2071532-100	100A	1250V
2071532-125	125A	1250V
2071532-160	160A	1250V
2071532-200	200A	1250V
2071532-250	250A	1250V

PART NO.	AMP	* VOLTAGE
2071532-315	315A	1250V
2071532-350	350A	1250V
2071532-400	400A	1250V
2071532-450	450A	1250V
2071532-500	500A	1100V
2071532-550	550A	1100V
2071532-630	630A	1100V

SIZE 2



1250VAC*
ultra rapid (aR)

Class aR for semiconductor protection

DIMENSIONS (mm)			
PART NO.	AMPS	A	B
2072532	250-800	60	70.5

PART NO.	AMP	* VOLTAGE
2072532-250	250A	1250V
2072532-280	280A	1250V
2072532-315	315A	1250V
2072532-350	350A	1250V
2072532-400	400A	1250V
2072532-450	450A	1250V

PART NO.	AMP	* VOLTAGE
2072532-500	500A	1250V
2072532-550	550A	1250V
2072532-630	630A	1250V
2072532-700	700A	1100V
2072532-800	800A	1100V

SIZE 3



1250VAC*
ultra rapid (aR)

Class aR for semiconductor protection

DIMENSIONS (mm)			
PART NO.	AMPS	A	B
2073532	315-1400	73	72

PART NO.	AMP	* VOLTAGE
2073532-315	315A	1250V
2073532-350	350A	1250V
2073532-400	400A	1250V
2073532-450	450A	1250V
2073532-500	500A	1250V
2073532-550	550A	1250V
2073532-630	630A	1250V

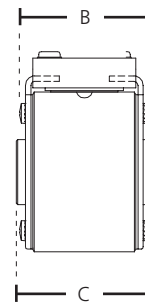
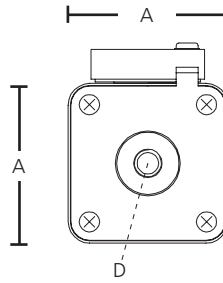
PART NO.	AMP	* VOLTAGE
2073532-700	700A	1250V
2073532-800	800A	1250V
2073532-900	900A	1000V
2073532-1000	1000A	1000V
2073532-1100	1100A	1000V
2073532-1250	1250A	900V
2073532-1400	1400A	900V

DIN110 fuse base



PART NO.	DESCRIPTION	AMP RATING	VOLTAGE RATING	PACK SIZE
2132301	Fuse Base with Bolted. Connections DIN Type	630A	1400V	1
2132302	Fuse Base with Bolted. Connections DIN Type	1250A	1400V	1

Ultra Rapid Flush End (1250V)



SIZE 1 1250VAC* ultra rapid (aR)



Class aR for semiconductor protection

DIMENSIONS (mm)						
PART NO.	AMPS	SIZE	A	B	C	D
2076132	50-630	1	51	70.5	73.5	M8

PART NO.	AMP	* VOLTAGE
2076132-50	50A	1250V
2076132-63	63A	1250V
2076132-80	80A	1250V
2076132-100	100A	1250V
2076132-125	125A	1250V
2076132-160	160A	1250V
2076132-200	200A	1250V
2076132-250	250A	1250V

PART NO.	AMP	* VOLTAGE
2076132-315	315A	1250V
2076132-350	350A	1250V
2076132-400	400A	1250V
2076132-450	450A	1250V
2076132-500	500A	1100V
2076132-550	550A	1100V
2076132-630	630A	1100V

SIZE 2 1250VAC* ultra rapid (aR)



Class aR for semiconductor protection

DIMENSIONS (mm)						
PART NO.	AMPS	SIZE	A	B	C	D
2077132	250-800	2	60	70.5	73.5	M10

PART NO.	AMP	* VOLTAGE
2077132-250	250A	1250V
2077132-280	280A	1250V
2077132-315	315A	1250V
2077132-350	350A	1250V
2077132-400	400A	1250V
2077132-450	450A	1250V

PART NO.	AMP	* VOLTAGE
2077132-500	500A	1250V
2077132-550	550A	1250V
2077132-630	630A	1250V
2077132-700	700A	1100V
2077132-800	800A	1100V

SIZE 3 1250VAC* ultra rapid (aR)



Class aR for semiconductor protection

DIMENSIONS (mm)						
PART NO.	AMPS	SIZE	A	B	C	D
2078132	315-1400	3	73	72	73.5	M12
2078152	1100-1600	3	73	82	91	M12

PART NO.	AMP	* VOLTAGE
2078132-315	315A	1250V
2078132-350	350A	1250V
2078132-400	400A	1250V
2078132-450	450A	1250V
2078132-500	500A	1250V
2078132-550	550A	1250V
2078132-630	630A	1250V
2078132-700	700A	1250V
2078132-800	800A	1250V

PART NO.	AMP	* VOLTAGE
2078132-1000	1000A	1000V
2078132-1100	1100A	1000V
2078132-1250	1250A	900V
2078132-1400	1400A	900V
2078152-1100	1100A	1250V
2078152-1250	1250A	1250V
2078152-1400	1400A	1000V
2078152-1600	1600A	900V

DI - 12.5mm Diameter

1000201

500VAC
fast (gG)
DI, diazed
(prev E16F)



Class gG for cable and line protection

1000201 BOTTLE NECK DIMENSIONS	
AMPS	A (mm)
500mA-6A	6
10A	8
16A	10
20A	12
25A	14

PART NO.	AMP	INDICATOR
1000201-500MA	500mA	WHITE
1000201-1	1A	RED
1000201-2	2A	PINK
1000201-4	4A	BROWN
1000201-6	6A	GREEN
1000201-10	10A	RED
1000201-16	16A	GREY
1000201-20	20A	BLUE
1000201-25	25A	YELLOW

1000207

500VAC
ultra rapid (gR)
DI, silized
(prev E16UR)

Class gR for semiconductor protection

1000207 BOTTLE NECK DIMENSIONS	
AMPS	A (mm)
2A-6A	6
10A	8
16A	10
20A	12
25-30A	14

PART NO.	AMP	INDICATOR
1000207-2	2A	PINK
1000207-4	4A	BROWN
1000207-6	6A	GREEN
1000207-10	10A	RED
1000207-16	16A	GREY
1000207-20	20A	BLUE
1000207-25	25A	YELLOW
1000207-30	30A	GOLD

DII - 22mm Diameter

1000504

500VAC
fast (gG)
DII, diazed
(prev E27F)



Class gG for cable and line protection

1000504 BOTTLE NECK DIMENSIONS	
AMPS	A (mm)
500mA-6A	6
10A	8
16A	10
20A	12
25A	14

PART NO.	AMP	INDICATOR
1000504-500MA	500mA	WHITE
1000504-1	1A	GREY
1000504-1.6	1.6A	RED
1000504-2	2A	PINK
1000504-4	4A	BROWN
1000504-6	6A	GREEN
1000504-10	10A	RED
1000504-16	16A	GREY
1000504-20	20A	BLUE
1000504-25	25A	YELLOW

1000507

500VAC
ultra rapid (gR)
DII, silized
(prev E27UR)

Class gR for semiconductor protection

1000507 BOTTLE NECK DIMENSIONS	
AMPS	A (mm)
2A-6A	6
10A	8
16A	10
20A	12
25-30A	14

PART NO.	AMP	INDICATOR
1000507-2	2A	PINK
1000507-4	4A	BROWN
1000507-6	6A	GREEN
1000507-10	10A	RED
1000507-16	16A	GREY
1000507-20	20A	BLUE
1000507-25	25A	YELLOW
1000507-30	30A	GOLD

DIII - 27mm Diameter

1000704

500VAC
fast (gG)
DIII, diazed
(prev E33F)



Class gG for cable and line protection

1000704 BOTTLE NECK DIMENSIONS	
AMPS	A (mm)
35A	16
50A	18
63A	20

PART NO.	AMP	INDICATOR
1000704-35	35A	BLACK
1000704-50	50A	WHITE
1000704-63	63A	COPPER

1000707

500VAC
ultra rapid (gR)
DIII, silized
(prev E33UR)

Class gR for semiconductor protection

1000707 BOTTLE NECK DIMENSIONS	
AMPS	A (mm)
35A	16
50A	18
63A	20

PART NO.	AMP	INDICATOR
1000707-35	35A	BLACK
1000707-50	50A	WHITE
1000707-63	63A	COPPER

DIV - 33mm Diameter

1000904

500VAC
fast (gG)
DIV, diazed
(prev E44F)



Class gG for cable and line protection

1000904 BOTTLE NECK DIMENSIONS	
AMPS	A (mm)
80A	5
100A	7

PART NO.	AMP	INDICATOR
1000904-80	80A	SILVER
1000904-100	100A	RED

1000907

500VAC
ultra rapid (gR)
DIV, silized
(prev E44UR)

Class gR for semiconductor protection

1000907 BOTTLE NECK DIMENSIONS	
AMPS	A (mm)
80A	5
100A	7

PART NO.	AMP	INDICATOR
1000907-80	80A	SILVER
1000907-100	100A	RED

Neozed

1002704

1002804

1002904

400VAC/250VDC

fast, (gG)

D01, D02, D03



Class gG for cable and line protection

1002704 & 1002904 BOTTLE NECK DIMENSIONS			
	AMPS	A	B
D01 (E14)	1-16A	36	11
D02 (E18)	20-63A	36	15
D03 (M30x2)	80-100A	43	24

PART NO.	SIZE	AMP	INDICATOR
1002704-1	D01	1A	-
1002704-2	D01	2A	PINK
1002704-4	D01	4A	BROWN
1002704-6	D01	6A	GREEN
1002704-10	D01	10A	RED
1002704-16	D01	16A	GREY
1002804-20	D02	20A	BLUE
1002804-25	D02	25A	YELLOW
1002804-35	D02	35A	BLACK
1002804-50	D02	50A	WHITE
1002804-63	D02	63A	COPPER
1002904-80	D03	80A	SILVER
1002904-100	D03	100A	RED



1002707

1002807

1002907

440VAC

ultra rapid (gR)

D01, D02, D03



Class gR for semiconductor protection

1002707, 1002807 & 1002907 BOTTLE NECK DIMENSIONS			
	AMPS	A	B
D01 (E14)	1-16A	36	11
D02 (E18)	20-63A	36	15
D03 (M30x2)	80-100A	43	24

PART NO.	SIZE	AMP	INDICATOR
1002707-2	D01	2A	PINK
1002707-4	D01	4A	BROWN
1002707-6	D01	6A	GREEN
1002707-10	D01	10A	RED
1002707-16	D01	16A	GREY
1002807-20	D02	20A	BLUE
1002807-25	D02	25A	YELLOW
1002807-35	D02	35A	BLACK
1002807-50	D02	50A	WHITE
1002807-63	D02	63A	COPPER
1002907-80	D03	80A	SILVER
1002907-100	D03	100A	RED



Miscellaneous

RL1 380VAC Chinese standard



Fast acting for general applications (Usually found in Chinese equipment).

PLEASE NOTE: Dimensions can vary by up to 3mm.



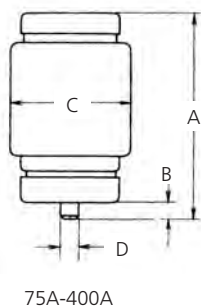
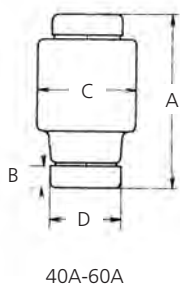
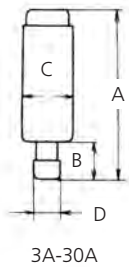
PART NO.	AMP
RL1-2	2A
RL1-4	4A
RL1-6	6A

PART NO.	AMP
RL1-10	10A
RL1-15	15A

BLA 600VAC/DC Japanese standard



Fast acting for general applications



PART NO.	AMP	INDICATOR	A (mm)	B (mm)	C (mm)	D (mm)
BLA-3	3A	PINK	50	10	13	8
BLA-5	5A	BROWN	50	10	13	8
BLA-10	10A	RED	50	10	13	8
BLA-15	15A	GREY	50	10	13	10
BLA-20	20A	BLUE	50	10	13	10
BLA-30	30A	VIOLET	50	10	13	14
BLA-40	40A	BLACK	50	10	27	16
BLA-60	60A	LIGHT RED	50	10	27	20
BLA-75	75A	SILVER	63	5.4	34	5
BLA-100	100A	RED	63	5.4	34	8
BLA-125	125A	YELLOW	63	5.4	47	5
BLA-150	150A	LIGHT RED	63	5.4	47	8
BLA-200	200A	BLUE	63	5.4	47	10
BLA-250	250A	GREEN	63	5.4	61	5
BLA-300	300A	WHITE	63	5.4	61	8
BLA-400	400A	BLACK	63	5.4	61	10